

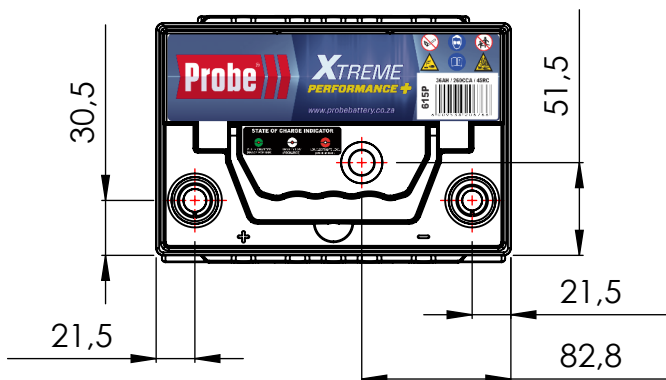
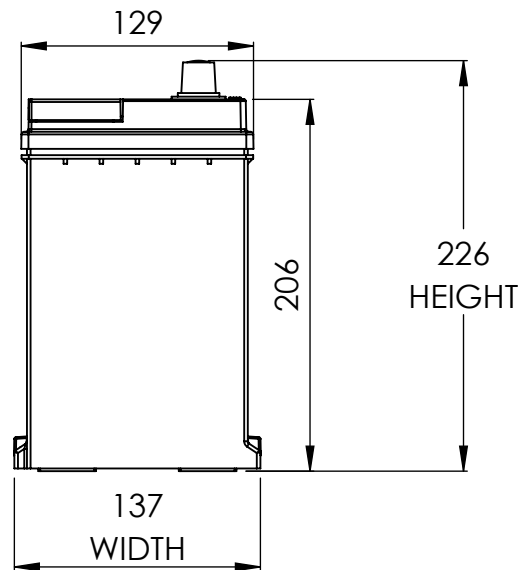
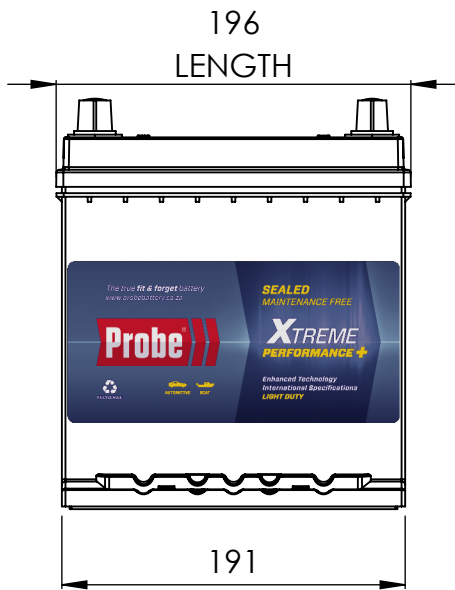


**MODEL:** 615P  
**TECHNOLOGY:** Lead Acid Battery  
**DIMENSIONS:** mm  
**COLOR:** Black  
**WET WEIGHT:** 10,10 kg  
**MATERIAL:** Polypropylene (PP)  
**DIMENSIONS (LxWxH) mm:** 196 x 137 x 226



**SPECIFICATIONS**

NOMINAL VOLTAGE	PERFORMANCE			BCI GROUP
	C20 (Ah) CAPACITY (Ah)	CCA (A) SAE -18°C COLD CRANKING (A) SAE -18°C	RC (MINUTES) RESERVE CAPACITY	
12V	36	260	45	51N



TERMINAL	
TERMINAL TYPE	
2	2
 18 ±1 Ø 14,7 ±0,3 POSITIVE TERMINAL CONICITY 1:9	 18 ±1 Ø 13 ±0,3 NEGATIVE TERMINAL CONICITY 1:9
RECOMMENDED TORQUE: 8 - 10 N.m	

